

Product data sheet

Characteristics

9070T100D5

Transformer, Type T, industrial control, 100 VA,
550/600/575 VAC pri / 110/120/115 VAC second,
1 phase, 50/60 Hz, 55 °C



Product availability: Stock - Normally stocked in distribution facility

Price*: 182.00 USD



Main

| | |
|---------------------------|--------------------------------|
| Product or component type | Industrial Control Transformer |
| Rated power in VA | 100 VA |
| Range of product | T |

Complementary

| | |
|-----------------------|-----------------------|
| Phase | 1 phase |
| Rated power in VA | 100 VA |
| Temperature rise | 55 °C |
| Electrical connection | Screw clamp terminals |
| Height | 2.89 In (73.41 mm) |
| Width | 3.38 In (85.85 mm) |
| Depth | 3.34 In (84.84 mm) |
| Material | Copper winding |
| Product compatibility | FSC1 |

Environment

| | |
|---------------------------|----------------------------------------------------------|
| Product certifications | CSA file LR37055 guide 184-N-90 UL listed file E61239 |
| NEMA degree of protection | Not rated (open device) |
| Insulation temperature | 221 °F (105 °C) |

Ordering and shipping details

| | |
|-----------------------|----------------------------------|
| Category | 16200 - 9070 T (NOT TF) 50-200VA |
| Discount Schedule | CP8 |
| GTIN | 00785901905370 |
| Nbr. of units in pkg. | 1 |
| Package weight(Lbs) | 3.89 Lb(US) (1.765 kg) |

| | |
|-------------------|-----|
| Returnability | Yes |
| Country of origin | MX |

Packing Units

| | |
|------------------------|---------------------|
| Unit Type of Package 1 | PCE |
| Package 1 Height | 3.70 In (9.398 cm) |
| Package 1 width | 4.20 In (10.668 cm) |
| Package 1 Length | 4.00 In (10.16 cm) |

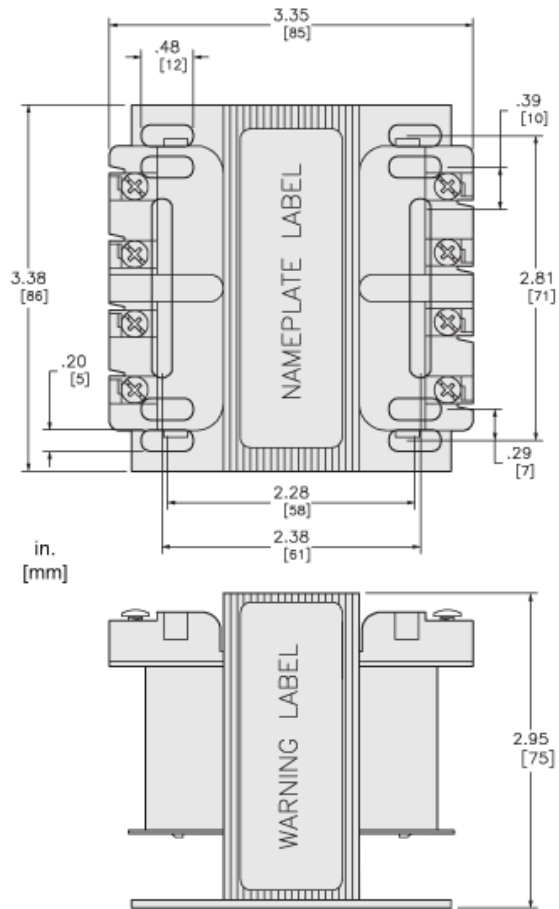
Offer Sustainability

| | |
|----------------------------|-------------------------------------------------------------------------------------------------------------------------------------------------------------------------------------------------------------------------------------------------------------------------------------------|
| Sustainable offer status | Green Premium product |
| California proposition 65 | WARNING: This product can expose you to chemicals including: Phenyl glycidyl ether, which is known to the State of California to cause cancer and birth defects or other reproductive harm. For more information go to www.P65Warnings.ca.gov |
| REACH Regulation | REACH Declaration |
| EU RoHS Directive | Compliant EU RoHS Declaration |
| Mercury free | Yes |
| RoHS exemption information | Yes |
| China RoHS Regulation | China RoHS Declaration |
| Environmental Disclosure | Product Environmental Profile |
| PVC free | Yes |

Contractual warranty

| | |
|----------|-----------|
| Warranty | 18 months |
|----------|-----------|

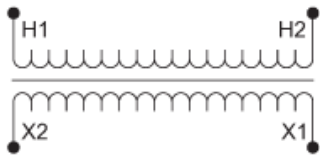
Approximate Dimensions



Connections and Wiring Diagrams

Voltage and Connection Options

| Voltage Code | Voltages | | Connections | |
|--------------|----------|-----------|-------------------------|-------------------------|
| | Primary | Secondary | Primary | Secondary |
| D3 | 208 | 120 | Connect to H1 and H2 | Connect to X1 and X2 |
| D4 | 277 | 120 | | |
| D5 | 550 | 110 | | |
| | 575 | 115 | | |
| | 600 | 120 | | |
| D6 | 380 | 110 | | |
| D17 | 415 | 110 | | |
| D24 | 110 | 110 | | |
| | 115 | 115 | | |
| | 120 | 120 | | |
| D93 | 200 | 115 | | |
| D103 | 400 | 120 | | |



Product Life Status : **Commercialised**